

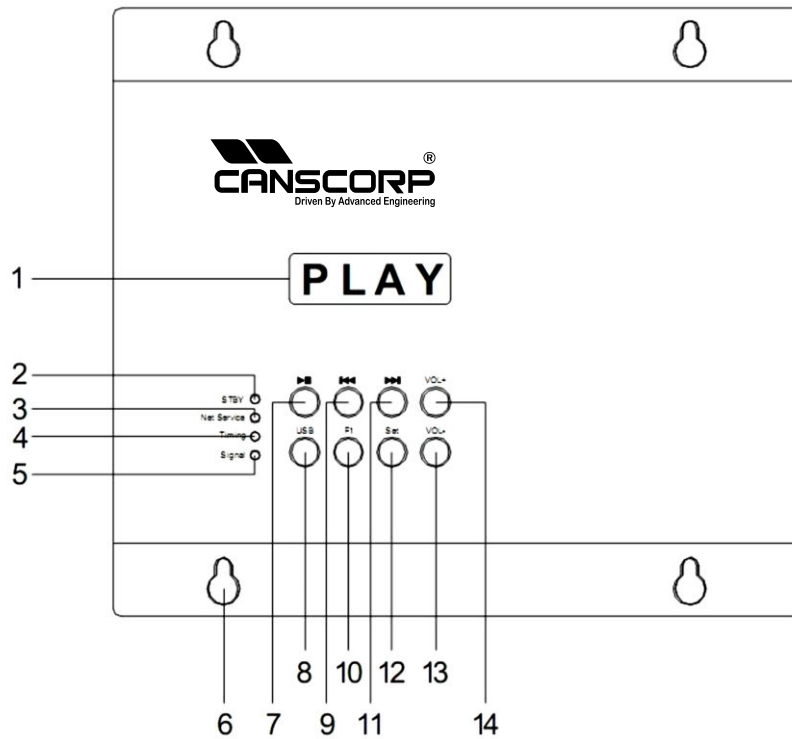
**CNS 401 2X25W NETWORK AMPLIFIER**

# TECHNICAL DATA SHEET



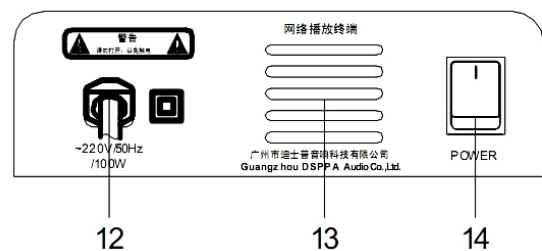
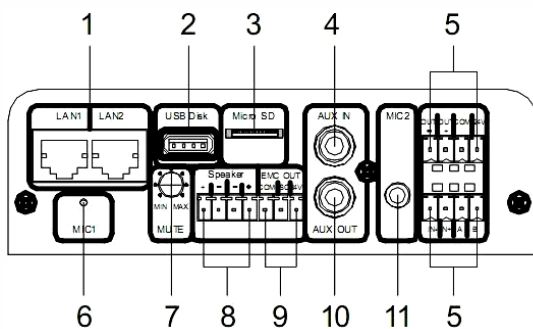
## **FEATURES:**

- Dual Network interface design, able to work across network segments
- Able to connect to anywhere the network reaches
- Built in MP3 player, USB port, and SD slot, for local program playing
- Support up to 48kHz sampling frequency, and 16bit digital audio code stream decoding
- Built in 2\*25w or 1\*50w Hi-Fi digital amplifier, with low power consumption setting
- Able to play the background music, emergency broadcast, warning signal from system centre
- 1 aux input, 1 aux output, 2 MIC input, 1 EMC output, and 1 short circuit output
- Volume and play status of the zone can be controlled by this terminal
- LED indicator for signal status, and digital display of work condition and information change
- Infrared remote control available



- |  |             |
|--|-------------|
| 1. Digital Display and Infrared Receiver | 8. USB      |
| 2. Standby Indicator                     | 9. Previous |
| 3. Network Indicator                     | 10. F1 Key  |
| 4. Timing Indicator                      | 11. Set Key |
| 5. Amplifier Output Level Indicator      | 12. Next    |
| 6. Screw Fixing Hole                     | 13. VOL -   |
| 7. Play/Pause                            | 14. VOL +   |

## SIDE PANEL



- 1.LAN Interface
- 2.USB Port
- 3.SD Slot
- 4.Aux Input
- 5.Color Screen On-demand Terminal Connection
- 6.MIC1
- 7.MIC Muting
- 8.Speaker Connection
- 9.EMC Override Connection
- 10.Aux Output
- 11.MIC2
- 12.AC220V Input
- 13.Cooling Window
- 14.Power On/Off

## SPECIFICATION

	Model	CNS401
AUX IN	Sensitivity	1000 mV
	Freq. Resp.	10Hz-26kHz
	Distortion	0.05%
	Noise	1mV
	SNR	80 dB
AUX OUT	Sensitivity	1000mV
	Freq. Resp.	10Hz-26kHz
	Distortion	0.05%
	Noise	0.12 mV
	SNR	77 dB
MaxPower Output	Independent Channel Mode	25W/4
	BTL Mode	50W/8
Max Distortion		0.3%
MIC Input	Sensitivity	10 mV
	Freq. Resp.	20Hz-23kHz
	Distortion	0.5%
	Noise	2 mV
	SNR	75 dB
USB/SD /NET/MP3 Input	Sensitivity	11V
	Freq. Resp.	10Hz-26kHz
	Distortion	0.05%
	Noise	1 mV
	SNR	80dB
Max Capacity of External USB		32GB
Power Supply Voltage		45-256V/50Hz
Over-current,over-heat,over-voltage, under-voltage protection		Yes

**Email:** Sales@canscorp.com

**Add.:** Shop No 5-6, Adinath Alpine building, Plot No. 28 A, Sector 25, Khandeshwar, Navi Mumbai, Maharashtra 410209

**Web.:** WWW.CANS CORP.COM

