

CNS808 8x8 Digital Audio Matrix

TECHNICAL DATA SHEET



DESCRIPTION:

The CNS808 digital audio matrix & paging controller is highly integrated, which is catering for multi-zone paging and multi-sources selection.

It supports 8 balanced audio inputs and 8 balanced audio outputs, remote paging, remote panel control,

remote computer & Android pad control. It supplies with multiple audio inputs. Besides 8 AUX inputs, it also

supports MP3 playing (built-in or external USB) and built-in FM. To better adapt to the emergency system, it

supports TEL paging to all zones, one-touch alarm, 8 dry contact inputs and 1 dry contact out put.

It's a complete solution for multi-zone, multi-functional venues like entertainment place, large-scale hotel,

sports centers, shopping mall, airport etc.



FEATURES:

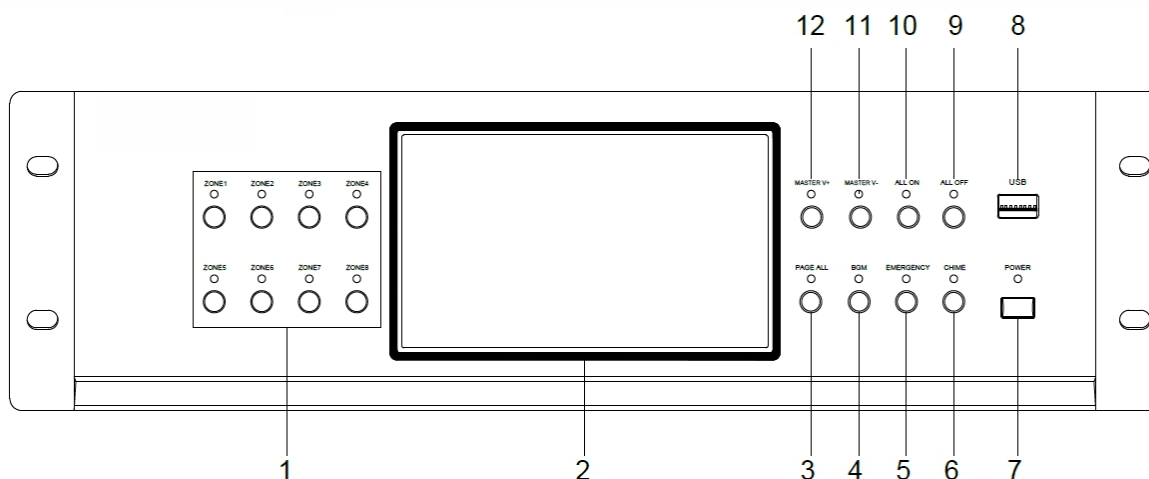
- 7" with touch capacitive color screen, embedded operating system;
- Built-in high performance DSP,10M/100M/1000MEthernet interface;
- Integrated Digital Audio Matrix, display, intelligent timing control, zones control and other functions in PA system;
- 8 channel zones output independent control and each channel with individual icon equalizer and individual volume control;
- Each channel can be linked independently with control panel and remote volume control of sound source with voice, wiring and MP3 player;
- 8-channel normal sounds our balanced input and each channel with individual icon equalizer and individual volume control;
- 2-channel local microphone input(with phantom power options) and each channel with individual icon equalizer and individual volume control;
- 1-channel Mp3 display (built-in program or extra polated U disk) with individual icon equalizer and individual volume control;
- 1-channel FM with individual icon equalizer and individual volume control;
- 1-channel fixed telephone input (with authority management), only one line can be operated in the whole area and with individual volume control;
- 1-channel chimewith individual volume control;
- 1-channel voice alarm (akeyalarm), can be replaced alarm contents as needed;
- 4-channel remote paging microphone, parallel paging with priority control and individual icon equalizer and individual volume control;
- 1-channel fire emergency analog signal input;
- 8-channel independent zones fire emergency trigger input(shortcircuit signal), 1-channel whole area fire emergency trigger input(short circuit signal), 1-channel fire linkage output (short circuit signal);
- Support PC/AndroidLANremote control;
- Zones and sound source physical shortcuts, easy to use;
- Built-in zones monitoring;
- Built-in 8G storage and maximum support 32G;
- Support AC220 (or110V) & 24VDC powersupply.

SPECIFICATIONS:

Model	CNS808	
Power supply	AC110V or AC220V/50Hz	DC24V
Input sensitivity of MIC1 & MIC2	10mV	
Input sensitivity of lines 1-8	250mV	
Output voltage of lines 1-8	1V	
Input sensitivit of EMC	250mV	
MIC I/O frequency response (±3dB)	80Hz□10kHz(±3dB)	
Line I/O frequency response (±3dB)	20Hz□20kHz(±3dB)	
Radio frequency band	86-108MHz	
Max. output noise	<3mV	
Output distortion (@1kHz)	<1%1KHz	
Machine size	484mm×375mm×132mm(1PC)	
Packing size	540mm×510mm×195mm(1PC)	
Net weight	10Kg	
Gross weight	13Kg(1PC)	

PRODUCT INFORMATION

FRONT / REAR PANEL



1. 1-8 zones button and indicator

2. Display / Touch Screen

The display shows dynamically all information of the system and it is also the touch screen for operation.

3. Page all button and indicator

4. Background source button and indicator

5. Full emergency button and indicator

It can send the warning signals to all zones simultaneously by pressing the full-warning button of the system, and meanwhile, the indicator light is ON

6. Chime and indicator

7. Power

8. USB

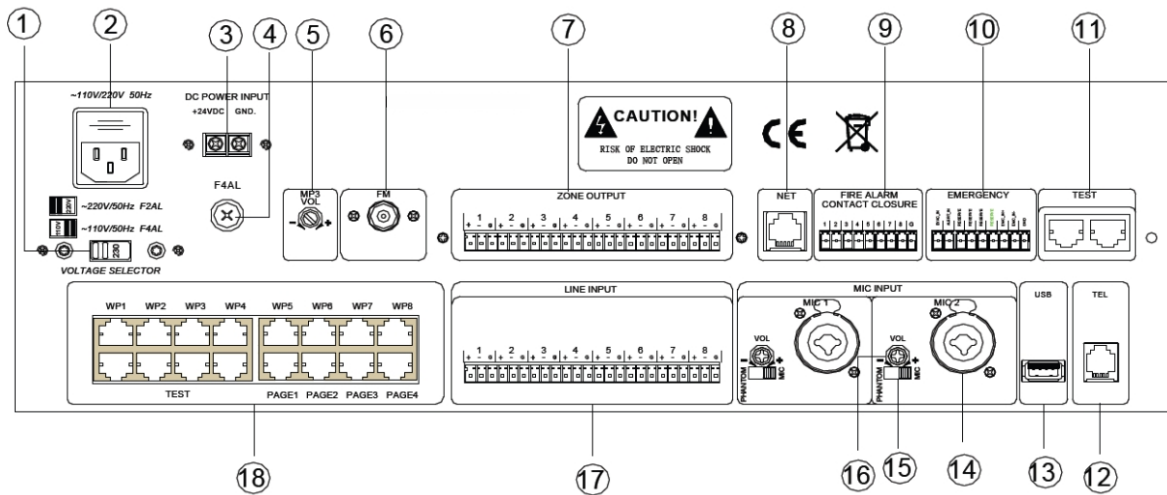
Use to connect the U disk with MPS programs, mobile hard disk and other memory devices. It can directly play the songs of the U disk and copy the programs for built-in MP3 player.

9. All-page close and indicator

10. All-page open and indicator

11. Volume control-

12. It controls the volume of zones. Press this button to turn down the volume
It controls the volume of zones. Press this button to turn up the volume.



① AC 110V/220V Selector Switch

Use to select the operating voltage.

② AC Power Input Socket

Plug the AC power cord into this socket.

③ DC 24V connection terminal

Externally connect with DC24V power supply

④ DC 24V Fuse

Use for the fixed DC power supply. If it is fused, please replace it with the fuse of the same specification. A continuous fusing indicates that there are some faults.

⑤ MP3 volume control knob

⑥ FM Antenna Interface

⑦ Zones Output

Connect with the power amplifier.

⑧ Network Interface

It is used to connect the LAN, through which the remote control of the system is performed.

⑨ Alarm Signal Input

Input the signals from the fire control center.

⑩ Alarm Signal Input

⑪ Testing Interface

It is used for testing.

⑫ Telephone Interface

It is used to connect the telecom signals to this machine.

CNS808 8x8 Digital Audio Matrix

⑬ **USB**

It is used to update the applications.

⑭ **MIC2 Input Interface**

⑮ **+48V Phantom Power Control Switch (MIC1-MIC2)**

MIC1 and MIC2 are individually controlled.

Turn left the switch to open this power source when the +48V phantom power supply microphone is used.

⑯ **Volume Control Knob**

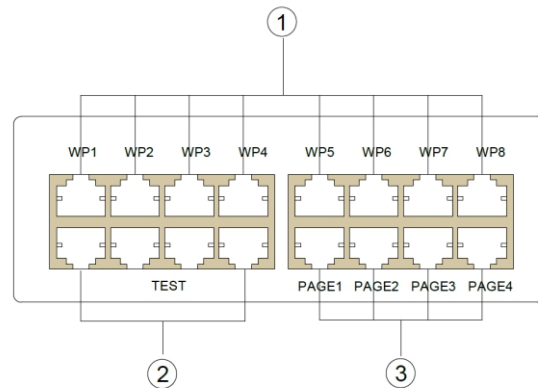
⑰ **Line Input Interface**

As shown below:

① Control panel interface
Connect 8 sets CNS808C/CNS808S control panels.

② Extension interface

③ Connect 4 CNS808R paging microphones



SYSTEM DIAGRAM



Email: Sales@canscorp.com

Add.: Shop No 5-6, Adinath Alpine building, Plot No. 28 A, Sector 25, Khandeshwar, Navi Mumbai, Maharashtra 410209

Web.: WWW.CANSCORP.COM