

CNS780 OUTDOOR NETWORK HORN SPEAKER

TECHNICAL DATA SHEET



DESCRIPTION:

The product is a Network Active Horn Speaker supporting network broadcast intercom system. It can support the international standard SIP protocol and accept broadcasts and calls from LAN and WAN. It can be quickly deployed to the place where you need with only one network cable, and easy to install. With wide sound diffusion angle, it can realize super reproduction of voice and music.



FEATURES:

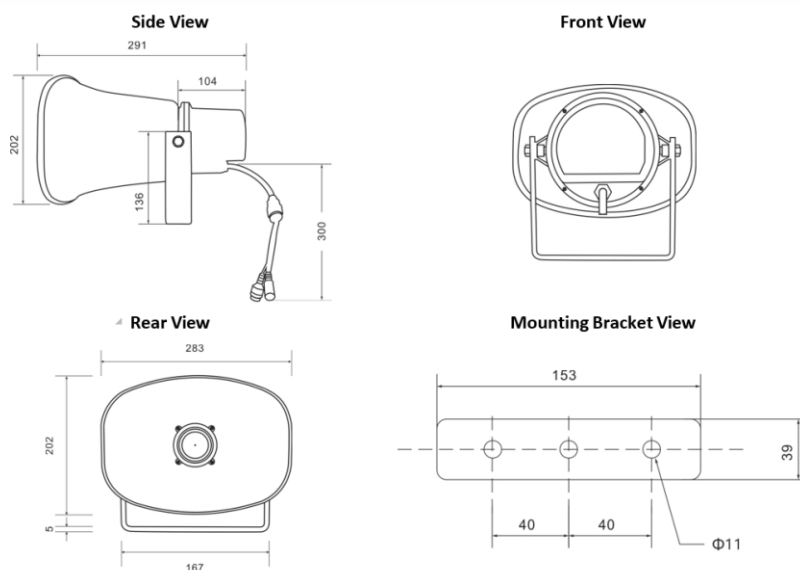
- 10/100M self-adaptive, support DHCP/static IP, support LAN and WAN;
- Support SIP2.0 (RFC3261) and related RFC;
- Support narrowband encoding: G.711a/u; broadband encoding: G.722;
- Supported audio format: MP3, WAV, FLAC, etc.;
- Can play the background music, emergency paging and alarm signal from the host system;
- Adopt high-quality ABS plastic, high dynamic range speaker unit, more clear and brighter sound;
- Comply with IEC 268-5 Power Handling Capacity (PHC) standard; can work continuously for 100 hours at rated power; pass Simulated Acoustic Feedback Exposure (SAFE) test; can withstand twice the rated power in a short time, ensuring the high reliability of the horn speaker under extreme conditions, prolonging the service life, significantly reducing the chance of failure or performance degradation;
- Support PoE power supply;
- Equipped with mounting brackets for easy installation;
- All-weather design, applicable to indoors and outdoors in different occasions.



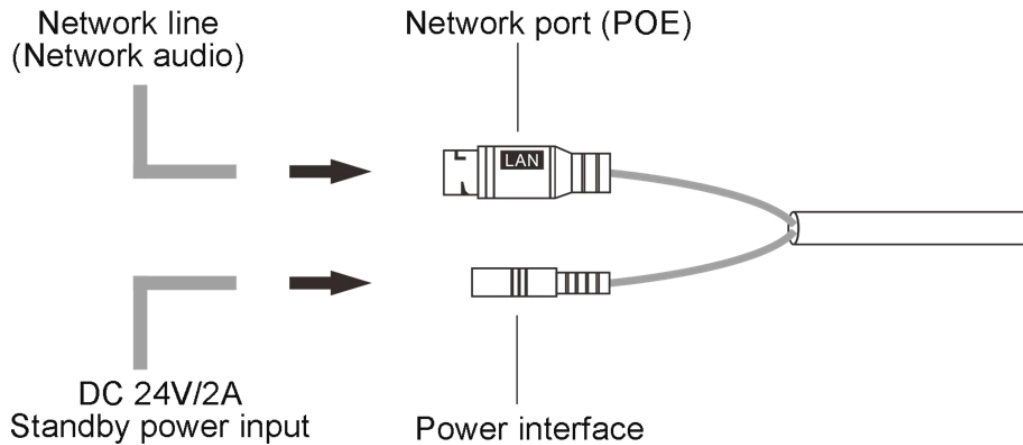
SPECIFICATIONS:

	Model	CNS780
Amplifier OUT	Rated Power (RMS)	15W 8
	SNR	75dB
	Freq. Resp.	150Hz-10KHz
Speaker	Unit Driver	2.5"
	Sensitivity	102dB±2dB
	MAX. SPL.	115dB±2dB
	Freq. Resp.	350Hz-6.3KHz
	Distortion	1%
Power	Voltage	PoE+(IEEE 802.3at) / DC24V 2A (Standby)
Others	Network Interface	RJ45 (10/100M)
	Supported Protocol	DHCP, TCP/IP, UDP, ICMP, IGMP (multicast), 802.1x, HTTP, HTTPS, FTP, DNS, DDNS, RFC3261, RTP, RTSP, RTCP, UPnP.
	Power Interface	24V/2A
	Package Dimensions (L×H×D)	630x510x335mm (4 pcs)
	Machine Dimensions (L×H×D)	285x205x291mm
	Net Weight	1.9kg
	Gross Weight	10.8kg (4 pcs)

FRONT / REAR PANEL

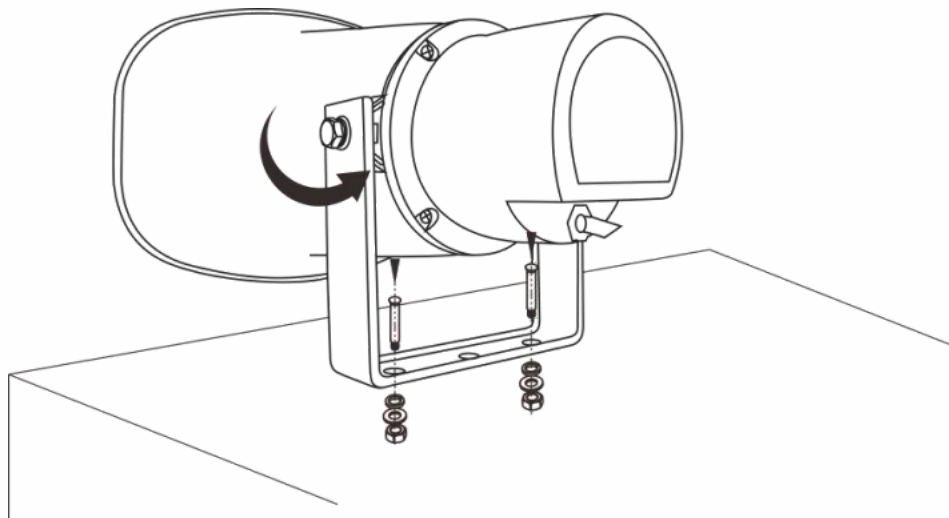


CONNECTION AND INSTALLATION CONNECTION DIAGRAM



Installation Instruction

The bracket can be rotated at various angles. First tighten the nut to fix the bracket, and then secure the screws into the mounting holes and fix them on the wall.



Email: Sales@canscorp.com

Add.: Shop No 5-6, Adinath Alpine building, Plot No. 28 A,
Sector 25, Khandeshwar, Navi Mumbai, Maharashtra 410209

Web.: WWW.CANSCORP.COM

