

CNS8500IP 10.1" NETWORK INTELLIGENT PAGING STATION

# TECHNICAL DATA SHEET



## DESCRIPTION:

The network intelligent paging station is a high-fidelity network call station based on the TCP/IP transmission protocol, capable of being connected to any location accessible via the network. It supports paging and control for up to 1,000 zones, with the high stability of traditional paging stations, ensuring stable and reliable operation with a low failure rate. It is designed with fully digital signal transmission and intelligent control at its core. The 10.1-inch capacitive touchscreen provides a user-friendly interface with intuitive graphics and text. With built-in AGC, noise reduction, and echo cancellation algorithms, it effectively enhances paging and intercom performance. It also includes auxiliary input and output channels for local audio source expansion and amplifier extension. Additionally, an in-house developed player enables local monitoring of host programs, and the built-in video capture function supports video intercom with video intercom terminals, allowing audio and video communication to be uploaded and stored on the host.

## **FEATURES:**

- Equipped with an embedded Linux operating system, ensuring stability and reliability for continuous 7x24 hour operation.
- Feature a 10.1-inch capacitive touchscreen, aluminum alloy high-end brushed industrial panel, and a desktop-style design.
- Include manual shortcut buttons for quick paging and ending paging in critical situations.
- Built-in 3W monitoring speaker for intercom and pre-listening to songs.
- Support music on-demand, zone paging, and group paging for network terminals.
- Enable two-way intercom with other paging microphones and emergency intercom terminals.
- Integrated with AGC, noise reduction, and echo cancellation algorithms, it effectively enhances paging and intercom performance.
- Include automatic intelligent microphone shutdown function, with configurable delay for ending paging.
- Include call forwarding feature in case of timeout or no response.;
- With video capture function, supporting video intercom with video intercom terminals, and uploading audio and video communication to the host for storage.
- With IPC preview function, supporting up to two IPC previews.
- With multi-level audio level indication, providing a more intuitive representation of speech pressure.
- With USB song-push function, allowing USB songs to be pushed to broadcast terminals and played in paging mode.
- Support synchronized broadcasting through preset partitions and groups, or allow users to create custom groupings for broadcasting.
- Include user password and permission management.
- Provide one line input (expandable for external program sources, wireless microphones, etc.), one local line output (for offline local amplifier paging), and one auxiliary output line (for expanded listening power).
- Feature one 485 communication interface for interlinking and communication with other systems.
- With audio log recording function, capable of real-time logging and playback of paging content.

**Email:** [Sales@canscorp.com](mailto:Sales@canscorp.com)

**Add.:** Shop No 5-6, Adinath Alpine building, Plot No. 28 A,  
Sector 25, Khandeshwar, Navi Mumbai, Maharashtra 410209

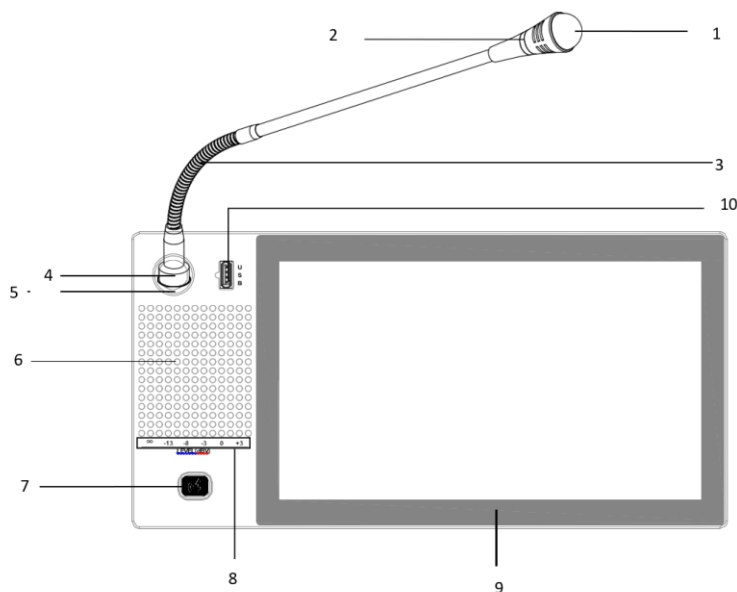
**Web.:** [WWW.CANSORP.COM](http://WWW.CANSORP.COM)



## SPECIFICATIONS:

MODEL	CNS8500IP
AUX OUT Rated Output Voltage	1.0±0.2V
NET OUT Rated Output Voltage	
MIC Input Sensitivity (Output 1V)	40±10mV
MIC Distortion (1kHz/1V)	MIC ≤0.3%
Effective Frequency Range of MIC Gain	100-16000Hz
MIC Signal-to-Noise Ratio (30k Low Pass)	≥75dB
AUX Input Sensitivity (Output 1V)	300±50mV
AUX Distortion (1kHz/1V)	AUX ≤0.3%
AUX Signal-to-Noise Ratio (30k Low Pass)	≥75dB
Effective Frequency Range of AUX Gain	40-16Hz
AUX Dynamic Range	≥20dB
Operating Voltage Range	DC+12V
Standby Power Consumption	5W
Power Supply	AC220V/50Hz
Overall Power Consumption	12W
Outer Package Dimensions (L×W×H mm)	420×340×130mm
Machine Dimensions (L×W×H mm)	315×155×65mm
Gross Weight	2.5kg
Net Weight	1.75kg

## FRONT PANEL



**1. Microphone Head**

Do not knock or strike the microphone head during use.

**2. Microphone Switch Indicator Ring**

This indicator ring:

- Lights up when the microphone is turned on for paging.
- Synchronizes with the microphone switch button indicator when paging in different zones.

**3. Microphone Rod**

The microphone angle can be freely adjusted.

**4. Microphone Socket**

5-pin XLR socket:

- Pin 1: Red light for the microphone head.
- Pin 2: Blue light for the microphone head.
- Pin 3: Audio signal input.
- Pin 4: Signal input ground.
- Pin 5: Power supply for the microphone head indicator light.

**5. Microphone Plug**

5-pin XLR plug, corresponding to the 5 pins on the microphone rod socket.

**6. Monitor Speaker Window**

Used to output the sound from the other party during intercom communication.

**7. Paging Button**

Used for full-zone paging.

**8. Level Indicator**

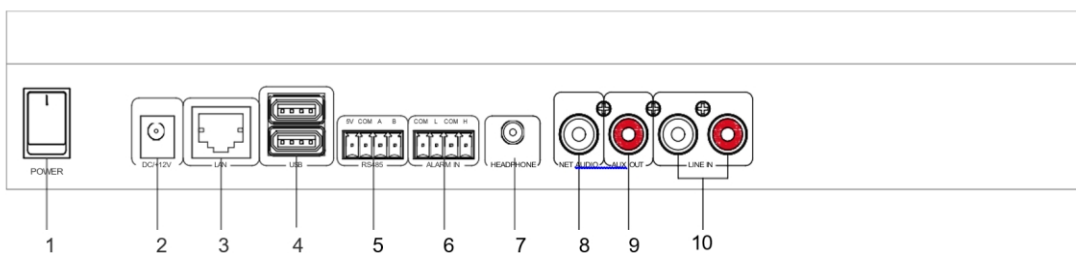
**9. Capacitive Touchscreen**

10.1-inch capacitive touchscreen displays the paging station's operating status and control interface. Touching the screen allows for option selection and operation.

**10. USB**

Include intelligent screensaver function, with configurable color display screen saver delay time

**REAR PANEL**



**1.Power Switch**

The “I” position pressed down turns the power on, and the “I” position popped up turns the power off.

**2.Power Supply Interface**

Provide power to the unit for operation.

**3.Network Interface**

Connect to the network switch.

**4.USB Interface**

Insert a USB drive into this port to provide program sources for the built-in MP3 player, enabling the USB song-push function. (Note: Only one USB drive can be recognized at a time for song-push functionality.)

**5.Data Exchange Interface**

RS485 expansion interface, reserved for expanding the intelligent system.

**6.Alarm Input Interface (Note: This is a reserved interface.)**

**7.Monitor Headphone Interface**

For local monitoring, with adjustable volume.

**8.Network Audio Output**

**9.Line Audio Output Interface**

Connect to amplifier equipment.

**10.Line Audio Input Interface**

Connect to playback devices such as DVD players or tuners.

**Email:** [Sales@canscorp.com](mailto:Sales@canscorp.com)

**Add.:** Shop No 5-6, Adinath Alpine building, Plot No. 28 A,  
Sector 25, Khandeshwar, Navi Mumbai, Maharashtra 410209

**Web.:** [WWW.CANSCORP.COM](http://WWW.CANSCORP.COM)

