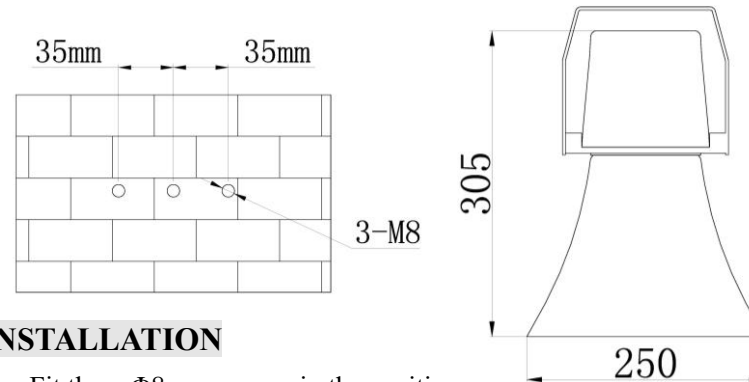


Horn Speaker System CNS304HI



POSITIONING DIMENSIONS & DIAGRAM



INSTALLATION

1. Fit three $\Phi 8$ mm screws in the position where needed to install a speaker;
2. Set the system in those three screws;
3. Connect audio broadcasting wire to the impedance according to the table below;

Power / Impedance \ Line	70V	100V
2.5K Ω	2 W	4 W
1.3K Ω	4 W	8 W
660 Ω	8 W	15W
330 Ω	15W	30W

4. Finally, adjust the direction of the system and examine whether it is steady.

SPECIFICATIONS

Frequency Response

OWNER'S MANUAL

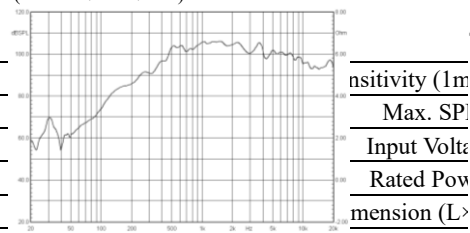
Thank you for purchasing our PA speaker system. All of our products have been tested strictly before shipping. Our PA speaker system is widely used in hotel, trade building, supermarket, school, entertainment, etc. It's the most ideal choice of you! In order to facilitate installing, modulating and running please read this manual carefully before setup.

FEATURES:

- Double driver unit structure, high sensitivity, wide frequency and excellent timbre;
- The products have gotten waterproof certificate and other certificates and are suitable for outdoor use;
- Equipped with brackets for installation.

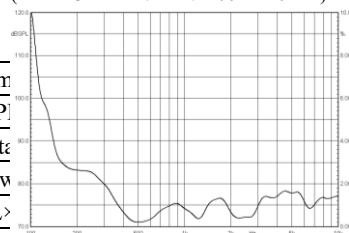
FREQ. RESPONSE

(dB SPL、1W、1m)



DISTORTION

(THD< 3% 1W、1m、200Hz-20kHz)



Sensitivity (1m)	105±2 dB
Max. SPL	120±2 dB
Input Voltage	100V
Rated Power	30W
Dimension (L×W×H)	250mm×250mm×305mm
STIPA (10m)	0.86
Weight	2.5 kg (5.6 lbs)

